

# Ø133 1050

All specifications subject to revision without notice

## LID

Standard lid to **2056 and 2059**

Weight: 10,0 g

## MATERIAL:

Pots and lids are produced in random and copolymer polypropylene in grades approved for food packaging by BGA and FDA which satisfy the demands of the EU directive 90/128 plus amendment of 1995-02-14 (Global migration)

## DECORATION:

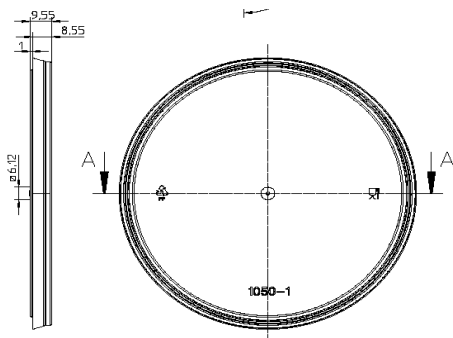
With In-mould-labeling  
Contact Toppac for drawings.

## CONTAINER/PACKAGING

**Pallet size:** L-1220\*B-810\*H-145

**Box size:** L-590\*B-400\*H-360

**Boxes:** 12 boxes with 1248 units per box. 24 boxes on one pallet place.



## TEMPERATURE:

**Hot:** The material chosen has a very good heat resistance and the packaging is suitable for hot filling.  
(Product temperature of 85° to 90°)

**Cold:** Random resists temperature to 5°C  
Block resists temperatures down to -20°C.  
Deep freezing below -20° will require a special resin which is available on request.

## COLOURS:

Lids are available in clear and Toppac standard colours.

## HANDLE:

No handle.

## QUALITY CONTROL:

Pots and lids are subject to a strict daily quality control.

Toppac is certified by Global Standard for packaging and packaging material, Issue 5, High Hygiene Risk with the grade AA

